

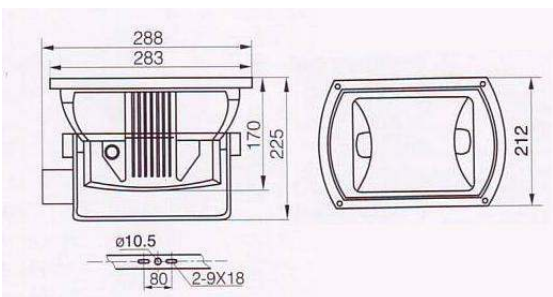


FYGT302



Materials and features:

- High-pressure die-casting aluminium case, external electro-static powder spraying, and good antiseptic property.
- 5mm thick tempered safety glass.
- High purity aluminium reflecting plate, with reasonable light distribution.
- Heatproof silastic sealed washer, with good sealing property.

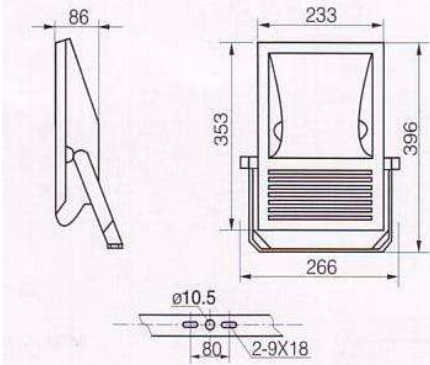


FYGT303



Materials and features:

- High-pressure die-casting aluminium.
- 5mm thick tempered safety glass.
- High purity aluminium reflector and asymmetric light distribution, with less glare.
- Fixture integrated with control gear box, with compact and reasonable design.
- Heatproof silastic sealed washer, with good sealing property.



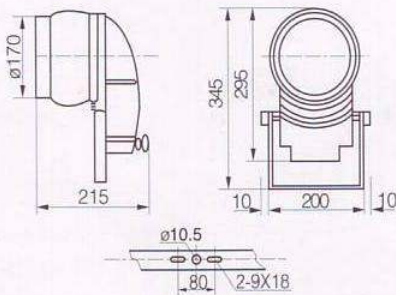


FYGT308



Materials and features:

- High-pressure aluminium die casting case, 5mm thick tempered safety glass and high purity aluminium reflector.
- Light in weight.
- Good sealing property.
- Integrated light fixture and control gear box, novel design, beautiful structure, firm and durable.

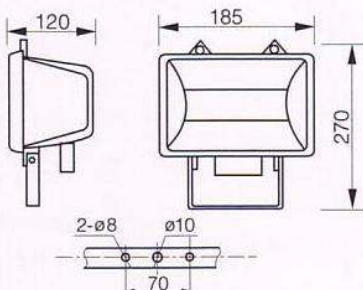


FYGT35



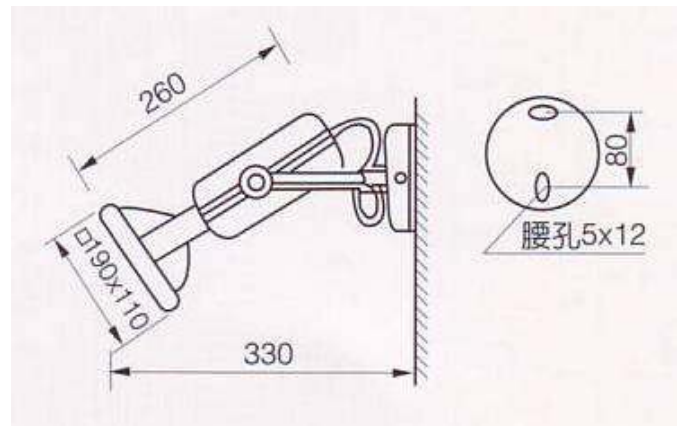
Materials and features:

- Black electro-static powder spraying, aluminium lamp body and front cover.
- Sealed type polyester connecting reflector.
- Hammer-tone aluminium reflector.
- High strength tempered flat glass, with silicon gasket.
- Black electro-static powder spraying steel rack.

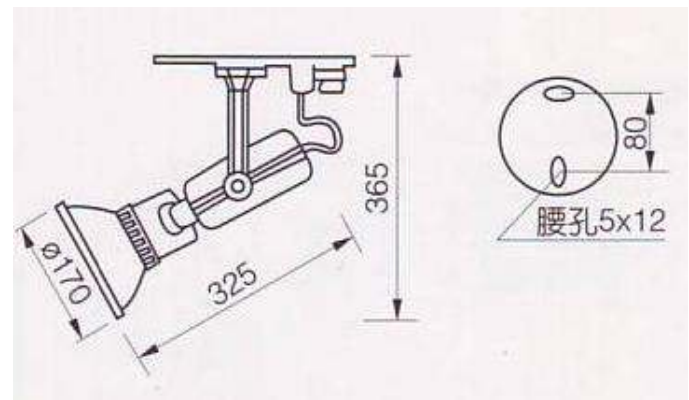




FYMC317



FYMC318

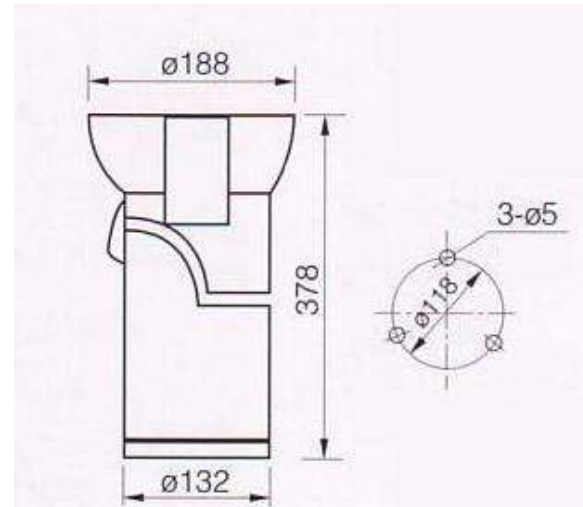


Materials and features:

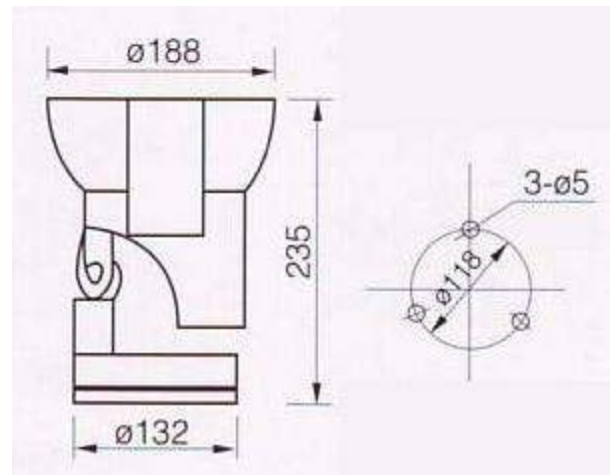
- Aluminium alloy high-pressure die-casting housing, with electro-static powder costing.
- High purity aluminium reflector.
- Shock proof flat tempered glass.
- Heatproof silastic seal ring.
- Stainless steel bolts.
- The integral device is convenient for installation.



FYMC322



FYMC323



Materials and features:

- Aluminium alloy high-pressure die-casting housing, with electro-static powder coating.
- High purity aluminium reflector.
- Shock proof flat tempered glass.
- Heatproof silastic seal ring.
- Stainless steel bolts.
- The integral device is convenient for installation.



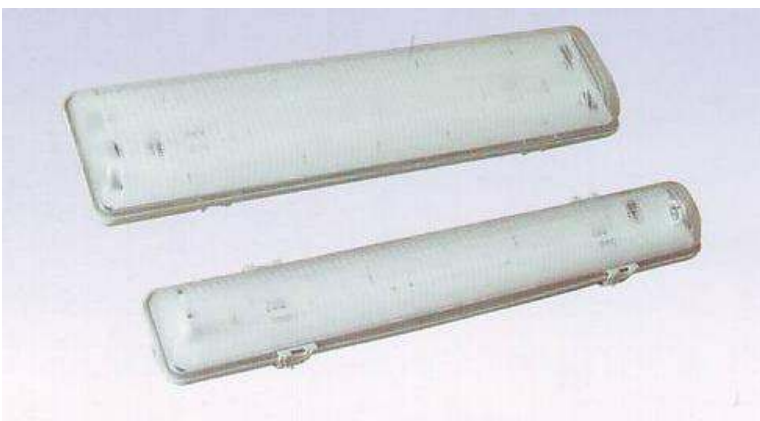
FYGC123



Materials and features:

- Die-casting aluminium electric box, matching the high purity aluminium reflector.
- Integrated light fixture and electric appliance, compact structure and beautiful appearance.
- Good waterproof and dustproof performance.
- Easy installation, convenient disassembly and wide range of use.

FYYG28



Materials and features:

- Polycarbonate(PC) material lamp body and diffuser. Stainless Steel clips.
- Prism diffuser, uniform light distribution and soft light beam, extremely high luminous transmittance.
- Internally changing luminous tube, waterproof sealing strip for lamp housing and protection for entering line, superior waterproof and dustproof performance.

